

1

2

3

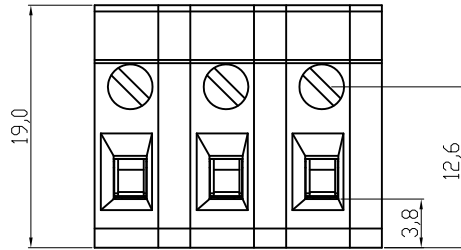
4

5

6

7

A



Material

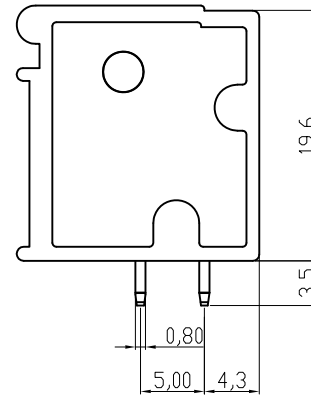
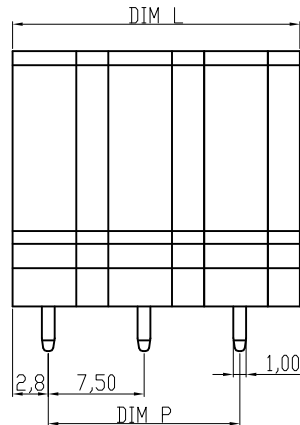
Terminal body(metal housing): steel stamped
 Terminal screw: Steel Zinc plating "-" slot type
 Contacts: Brass
 Surface of solder tail: Tin plated
 Insulator(housing): Thermoplastic (UL94V-0) , GREEN

B

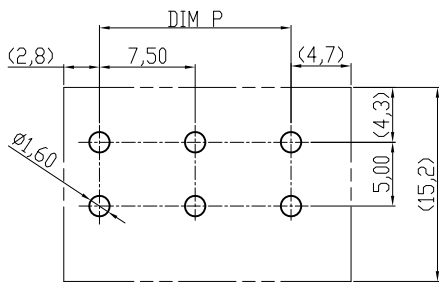
Electrical cULus

Voltage rating: 300VAC
 Current rating: 20A
 Wire range:
 Solid wire(AWG): 12-22
 Stranded wire(AWG): 12-22
 Torque(Lb-In): 2.4
 Screw: M2.5
 Wire strip length: 10-11mm
 Withstanding Voltage: 1.6KV
 Operating temperature: -40°C to +115°C
 Soldering temperature: 250°C±10°C/5 Sec
 Safety Approval: us

C



D



RECOMMENDER PCB LAYOUT

DIMENSION

L	Nx7,5
P	(N-1)x7,5

N=Number of poles

Poles	Tolerance	
	DIM L	DIM P
2p-6p	±0.20	±0.15
7p-12p	±0.25	±0.20
13p-18p	±0.30	±0.25
19p-24p	±0.40	±0.30

E

F

G

RoHS compliant

H

Scale	1:1					Date	Name	Customer-No.
TOLERANCE						Drawn	19.04.2010	
X.	±0.50					Approved	19.04.2010	Hellwig
X.X	±0.30							
X.XX	±0.10							
DIM	TOL							Drawing-No.
X.°	±1°							ASS 4099 CO
		©	Drawn	19.04.2010	Alex			rev00
Angle	TOL	Id.	Modification	Date	Name			Replace

Customer-No.

ASSMANN WSW-No.
A-TB750-TRxxV

Drawing-No.
ASS 4099 CO rev00

Replace Sheet

1

2

3

4

5

6

7

A

B

C

D

E

F

G

H