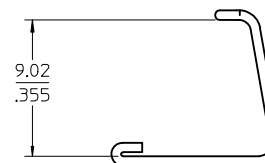
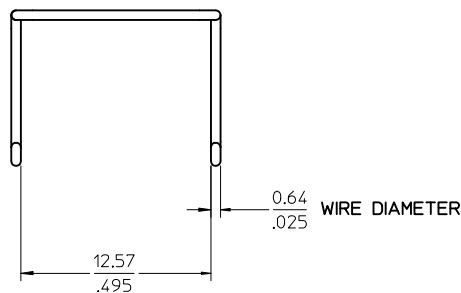
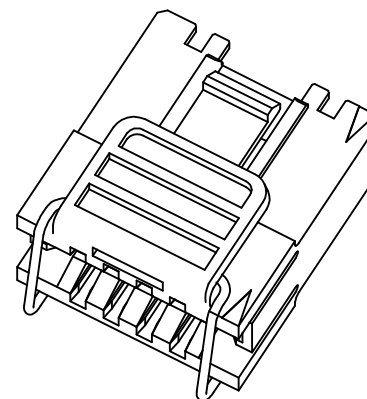
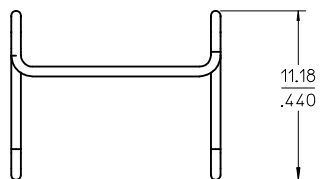


NOTES:

- 1) MATERIAL: .025 DIAMETER STAINLESS STEEL.
- 2) SPRING CLIP TO BE USED WITH 70013-**** INTERIM CLIP CIRCUIT SIZES 8-50.



EC NO: UCP2004-0539 DRWN: DMORGAN 2004/03/22 CHKD: BBARKER 2004/03/22 APPR: SMILLER 2004/04/01	QUALITY SYMBOLS	GENERAL TOLERANCES (UNLESS SPECIFIED)		SCALE	DESIGN UNITS	THIRD ANGLE PROJECTION	REVISE ON CAD ONLY	
	▼ - 0 ∇ - 0		mm	INCH	4:1	INCH	DIMENSION STYLE MM/IN	TITLE SPRING CLIP FOR INTERIM CLIPS CIRCUIT SIZES 8-50.
		4 PLACES	± ---	± ---				
		3 PLACES	± ---	± .010				
	2 PLACES	± 0.25	± .025	DRAWN BY	DATE	MOLEX INCORPORATED MATERIAL NO. 71809-0001 DOCUMENT NO. SD-71809-001 SHEET NO. 1 OF 1		
	1 PLACE	± .64	± ---	CHECKED BY	DATE			
		ANGULAR ±1/2°		APPROVED BY	DATE	THIS DRAWING CONTAINS INFORMATION THAT IS PROPRIETARY TO MOLEX INCORPORATED AND SHOULD NOT BE USED WITHOUT WRITTEN PERMISSION		
		DRAFT WHERE APPLICABLE MUST REMAIN WITHIN DIMENSIONS		SMILLER	03/09/17			