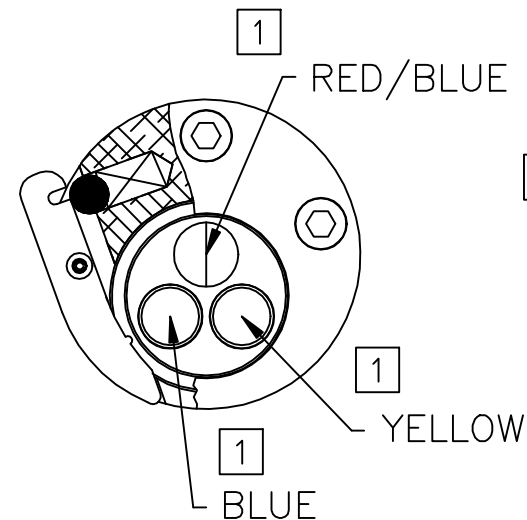
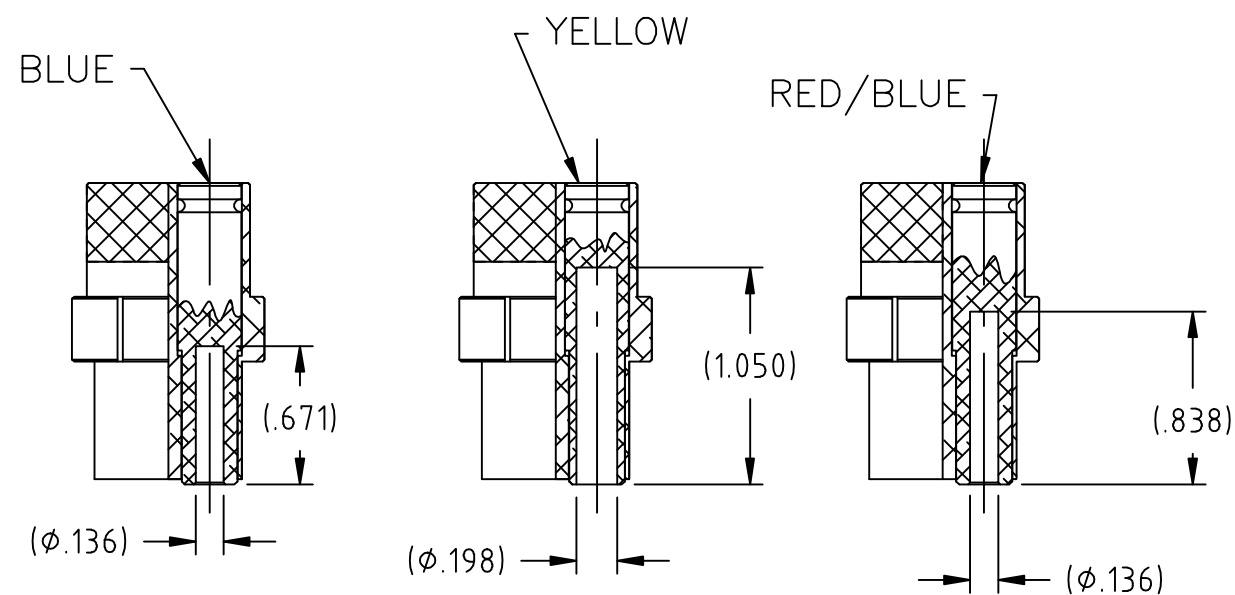
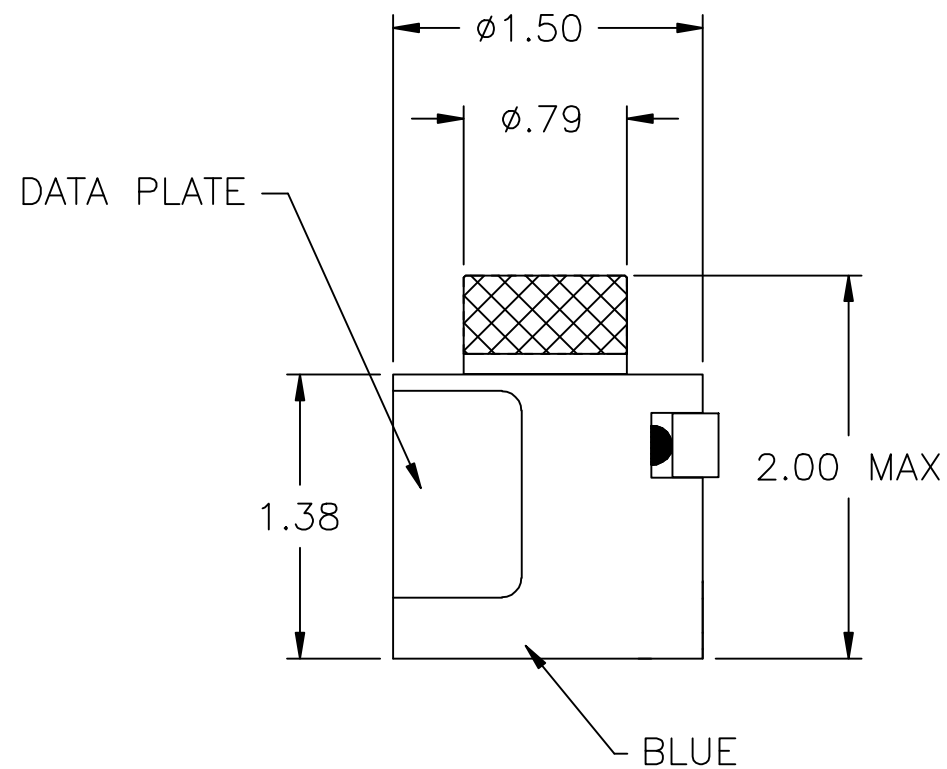


**UNCONTROLLED DOCUMENT
WILL NOT BE UPDATED**



1
RANDOM ORDER OF ROTATION IS
ACCEPTABLE



TYPICAL CONSTRUCTION

HOLE DEPTHS ARE MEASURED FROM
TOP OF POSITIONER INSERTS.

VG95236T25A0001 600324	Kontaktbezeichnung	Farbkennzeichnung	Selektoreinstellung für		
			0,75/1 mm ² AWG 20	1,5 mm ² AWG 16	2,5 mm ² AWG 12
	VG 95 234 P 16	rot/blau	—	5	—
	VG 95 234 P 15				
	VG 95 234 P 16 S	blau	—	—	7
	VG 95 234 P 15 S				
VG 95 234 P 12	gelb	—	—	—	
VG 95 234 P 25					

DATA PLATE

THESE DRAWINGS, SPECIFICATIONS OR OTHER DATA ARE AND REMAIN, THE PROPERTY OF ASTRO TOOL CORP. AND MUST BE RETURNED UPON REQUEST. THEY CONTAIN INFORMATION OWNED AND/OR DEVELOPED BY ASTRO AT ITS OWN PRIVATE EXPENSE AND MAY NOT BE USED, DUPLICATED OR DISCLOSED TO OTHERS, IN WHOLE OR IN PART FOR DESIGN, MANUFACTURE OR PROCUREMENT WITHOUT THE WRITTEN PERMISSION OF ASTRO TOOL CORP. EACH AND EVERY TIME.					SCALE: N.T.S.	UNLESS OTHERWISE SPECIFIED: DECIMALS: .XXX ± .005 .XX ± .010 .X ± .030 ANGLES: ± 1°	21615 S.W. TUALATIN VALLEY HWY., BEAVERTON OR 97006	CAGE 58164 DESCRIPTION: ENVELOPE DRAWING: 600324 TURRET ASSEMBLY
					DWN BY: DYO			
REV.	DESCRIPTION	BY	DATE	APR.	A NEW RELEASE. DYO 07-08-10 MMK			

NOTES: 1. THIS IS AN AUTOCAD DRAWING DO NOT CHANGE MANUALLY.