

THIS DRAWING IS UNPUBLISHED.		RELEASED FOR PUBLICATION	
© COPYRIGHT - By -		ALL RIGHTS RESERVED.	
PROJECT	PRJ-16-000909157		
PART NO.	X-2308327-X		
DESCRIPTION	FULL METAL HOODS SIZE 3		
CUSTOMER	GENERAL MARKET		

REVISIONS					
P	LTR	DESCRIPTION	DATE	DWN	APVD
	A2	REVISED PER ECR-16-014891	20OCT2016	KK	GG

NOTES:

1. TEMPERATURE: -40°C TO +90°C.
2. STRAND DIAMETER OF CRIMP FLANGE: 2.7-8.7 mm.
3. CABLE DIAMETER WITH EXTERNAL CABLE CLAMP: 4-14 mm.
4. CABLE DIAMETER WITH INTERNAL CABLE CLAMP: d=4-11 mm (FOR d=4-7 mm TURN CABLE CLAMP).
5. CABLE BUSHING FOR CABLE DIAMETER 4-9 mm.

* CRIMP FLANGE PN *-2308349-* TO BE ORDERED SEPARATELY.

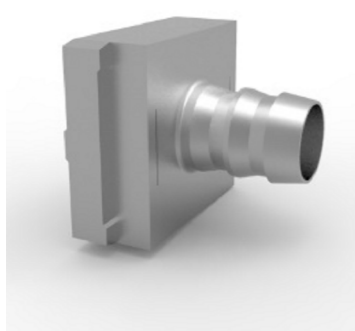
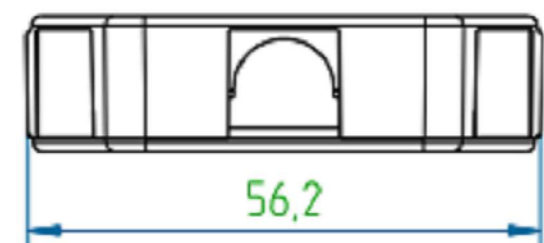
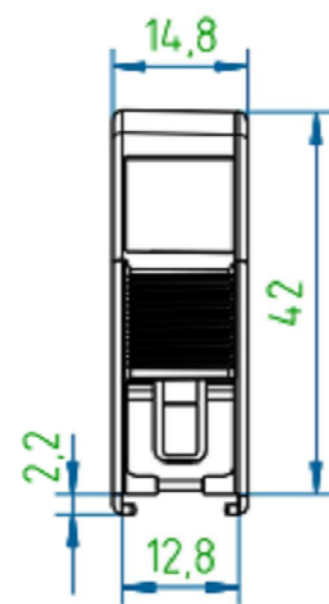
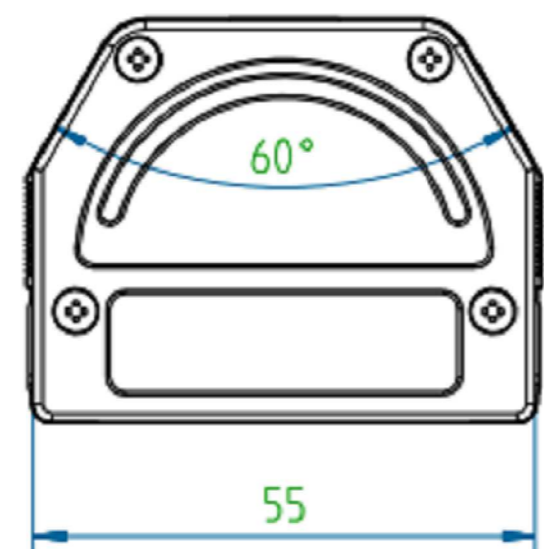
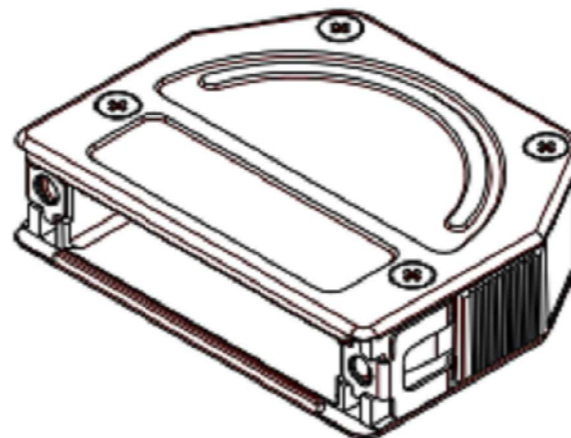
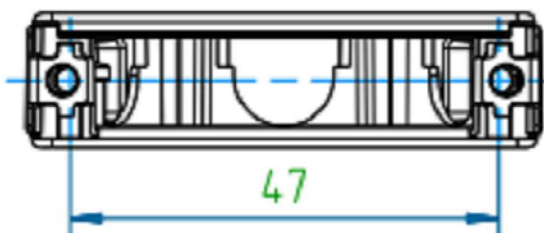
* CRIMP BARREL TO BE USED IN COMBINATION WITH THE FLANGE PN *-2308350-* TO BE ORDERED SEPARATELY.

* CABLE CLAMP SCREW VERSION PN *-2308272-* TO BE ORDERED SEPARATELY.

1-2308327-5	FULL METAL HOOD3 5	HOUSING 2	1	2	2	3	61
1-2308327-4	FULL METAL HOOD3 4	HOUSING 2	2	1	1	2	63
1-2308327-3	FULL METAL HOOD3 3	HOUSING 2	1	2	-	3	59
1-2308327-2	FULL METAL HOOD3 2	HOUSING 2	2	1	-	2	61
1-2308327-1	FULL METAL HOOD3 1	HOUSING 1	2	-	-	-	57
ASSY. PART NO.	DESCRIPTION	SUB-PART DESCRIPTION POS.1	POS. 3	POS. 5	POS. 6	POS. 7	WEIGHT, g

9	1	-	SCREW M2.5x5 (CASE HARDENING STEEL, ZINC-PLATED)
8	4	-	SCREW M2.5x6.5 (CASE HARDENING STEEL, ZINC-PLATED)
7	SEE TAB. POS.7	-	SCREW M2.5x6 (CASE HARDENING STEEL, ZINC-PLATED)
6	SEE TAB. POS.6	-	CABLE BUSHING (EPTR SANTOPRENE)
5	SEE TAB. POS.5	-	CABLE CLAMP (BAND STEEL, ZINC-PLATED)
4	2	-	CATCH SPRING (STAINLESS STEEL, RAW)
3	SEE TAB. POS.3	-	BLIND PLATE (ZINC ALLOY, RAW)
2	1	-	COVER (ZINC ALLOY, RAW)
1	1	SEE TAB. POS.1	HOUSING (ZINC ALLOY, RAW)
SL NO.	QTY	ASSY. PART NO.	DESCRIPTION (MATERIAL, FINISH)

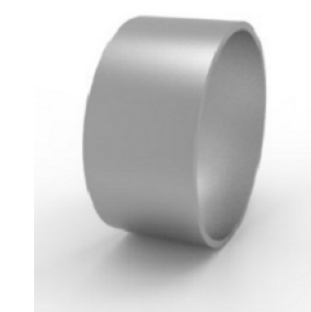
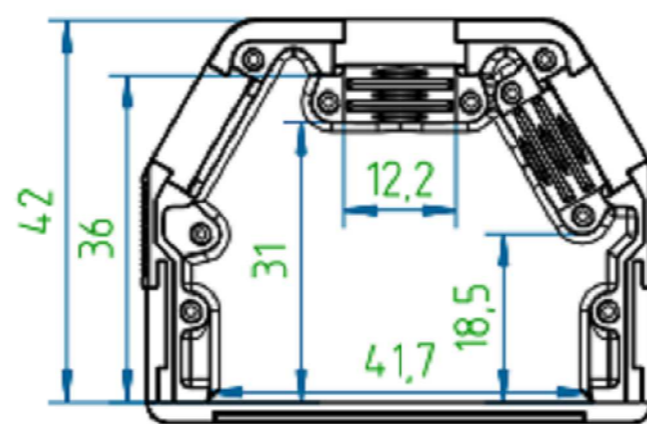
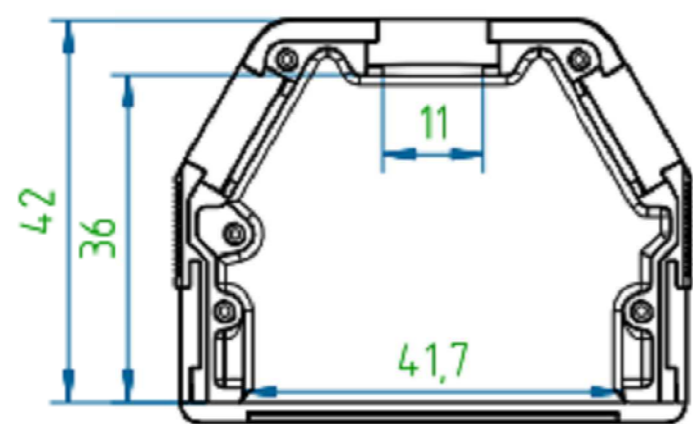
X-2308327-X



CRIMP FLANGE

HOUSING 1

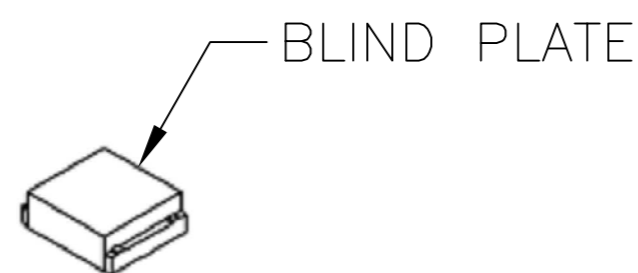
HOUSING 2



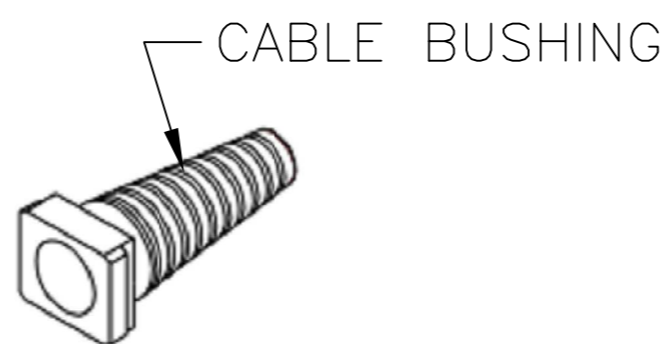
CRIMP BARREL



CABLE CLAMP



BLIND PLATE



CABLE BUSHING

THIS DRAWING IS A CONTROLLED DOCUMENT.		DWN KIRAN K 02AUG2016		
DIMENSIONS: mm		CHK GUNASEKHAR G 02AUG2016		
TOLERANCES UNLESS OTHERWISE SPECIFIED: DIN ISO 2768 m		APVD GUNASEKHAR G 02AUG2016	NAME FULL METAL HOODS SIZE 3	
0 PLC ± -		PRODUCT SPEC	APPLICATION SPEC	
1 PLC ± -		WEIGHT	RESTRICTED TO	
2 PLC ± -		SCALE	SHEET	
3 PLC ± -		CUSTOMER DRAWING	1 of 1	
4 PLC ± -		SCALE NTS	REV A2	
ANGLES ± -				
FINISH				