

THIS DRAWING IS UNPUBLISHED.

RELEASED FOR PUBLICATION

---

LOC

DIST

REVISIONS

© COPYRIGHT - By -

ALL RIGHTS RESERVED.

AF

50

P

LTR

DESCRIPTION

DATE

DWN

APVD

B

REVISED PER ECR-12-013518

26NOV2012

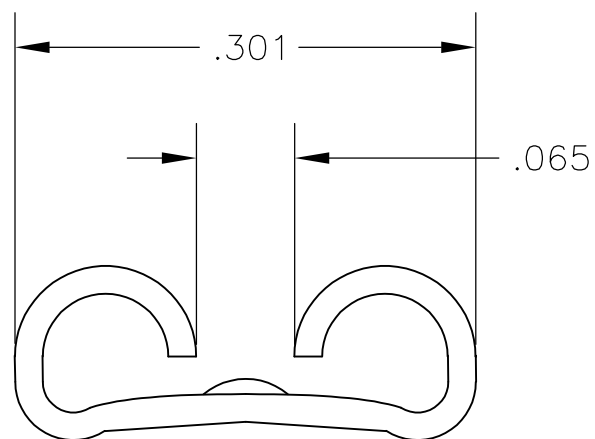
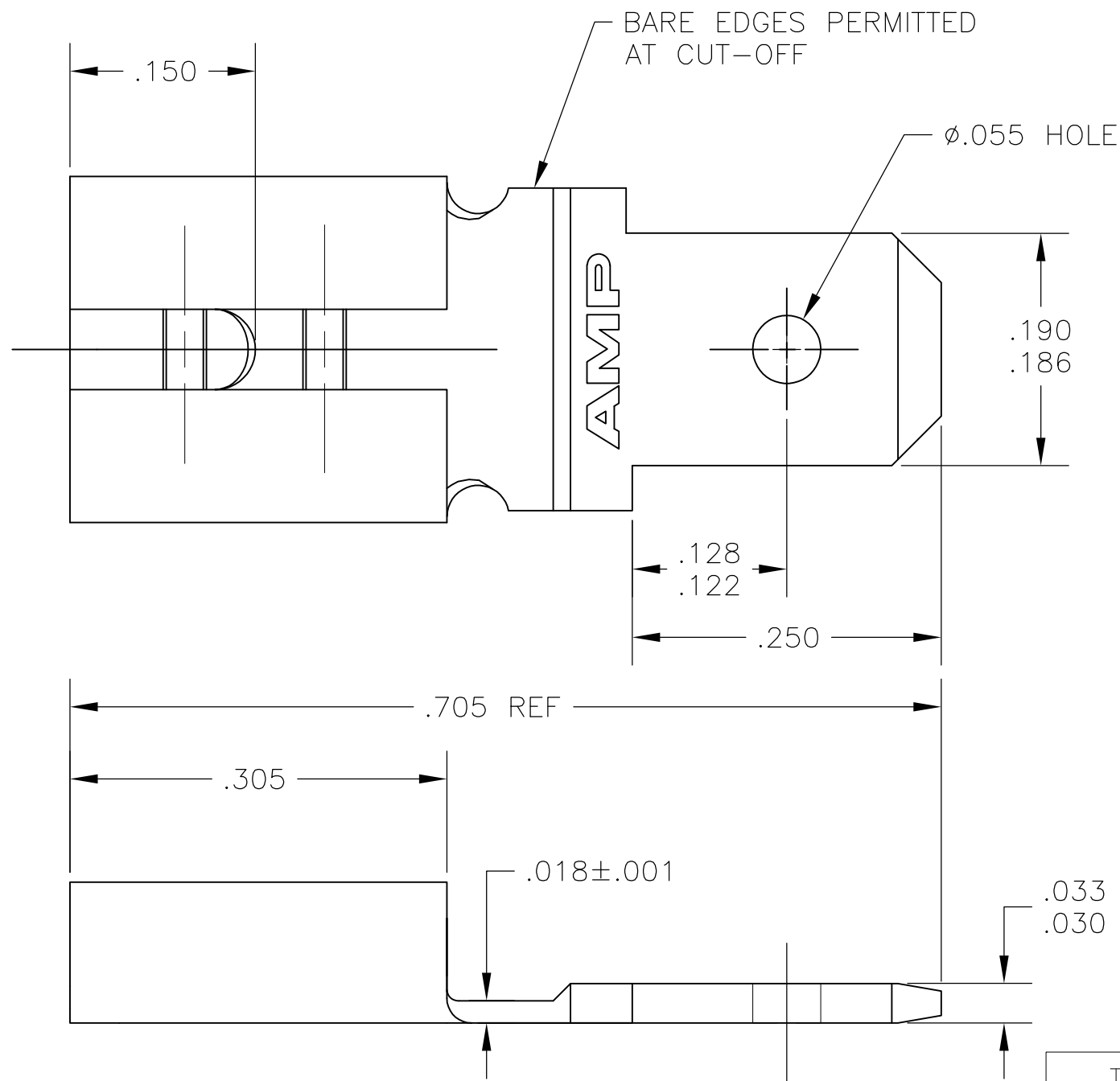
KH

PD

1 SUPPLIED IN LOOSE PIECE

2 MATING TAB THK IS  $.032 \pm .001$

3 PRELIMINARY - NOT FOR PRODUCTION



TIN PLATED	3 1742597-2
---	1742597-1
FINISH	PART NO

THIS DRAWING IS A CONTROLLED DOCUMENT.		DWN	JR RUTH	11MAY07	<b>STE</b> TE Connectivity		
DIMENSIONS: INCHES		CHK	P DESANTIS	11MAY07			
TOLERANCES UNLESS OTHERWISE SPECIFIED:		APVD	P DESANTIS	11MAY07	NAME		
0 PLC ± -		PRODUCT SPEC		ADAPTER, FASTON, .250 SERIES RECPT WITH A .187 SERIES TAB			
1 PLC ± -		APPLICATION SPEC		-			
2 PLC ± -		SIZE	A3	CAGE CODE	00779	DRAWING NO	C-1742597
3 PLC ± .010		WEIGHT		-		RESTRICTED TO	-
4 PLC ± -		CUSTOMER DRAWING					
ANGLES ± 1°		SCALE		8:1		SHEET	1 OF 1
FINISH		-		REV		B	
MATERIAL		BRASS					