



Mallory Sonalert Products, Inc.

Part #: **SBT5LMMPPC**

Sales Outline Drawing

Revision: **E**

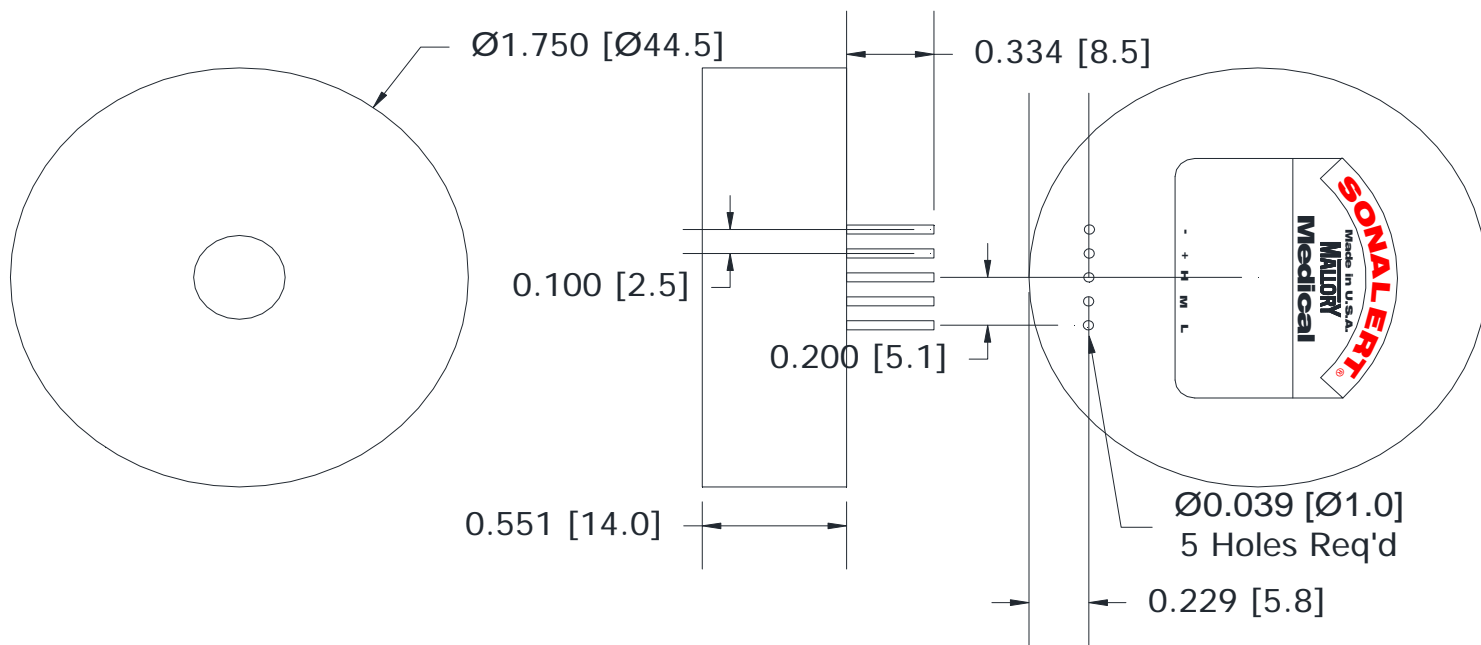
Specifications:	cUL Recognized to IEC60601-1-8 - Artificial Perfusion Melody			
Sound Level Category:	Silence	Loud	Loud	Loud
Mode of Operation:	Silence - NO SOUND	Low Priority Alarm 2 beeps repeating @ every 21 sec	Medium Priority Alarm 3 beeps repeating @ every 9 sec	High Priority Alarm 10 beeps repeating @ every 6 sec
Loudness @ 10cm:		85 to 95 dB(A) Typ.	85 to 95 dB(A) Typ.	85 to 95 dB(A) Typ.
Frequency:	150 to 4000 Hz			
Connection:	Connect "+" to "+" & "-" to "-" of Power Supply	Connect "+" to "+" & "-" & L to "-" of Power Supply	Connect "+" to "+" & "-" & M to "-" of Power Supply	Connect "+" to "+" & "-" & H to "-" of Power Supply
Voltage Rating:	3.3 to 5 VDC			
Average Current Draw:	<15mA Typ.	<15mA Typ.	<15mA Typ.	<20mA Typ.
Ipk Current*:	250mA			
Housing Material:	ABS 777D Plastic Resin, Black			
Storage Temperature:	-40° to +85° C			
Operating Temperature:	-30° to +65° C			
Weight Typical:	0.6 oz (17g)			
Options:	Please contact factory.			

Dimensions: Inches [mm] **cUL Recognized** **ROHS Compliant**

PATENT NUMBER: 7880593

Before Code Date: 1546 Not cUL Recognized

After Code Date: 1547 cUL Recognized



*Ipk = Instantaneous Peak

tolerances: ±0.005 [±0.1]