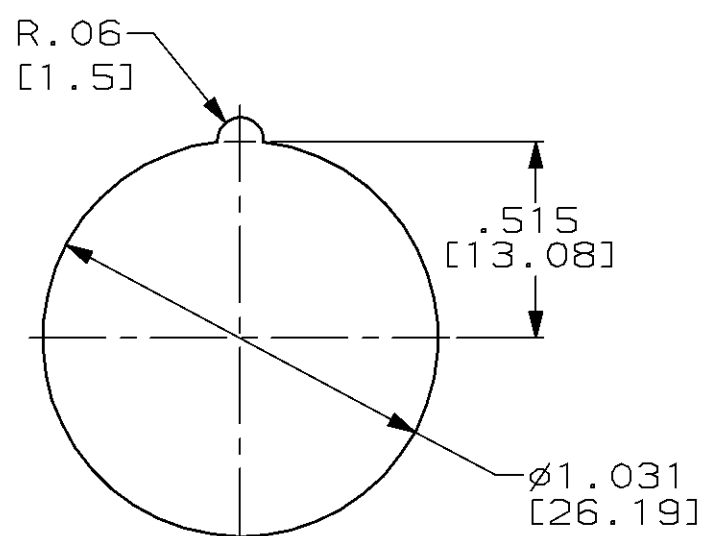
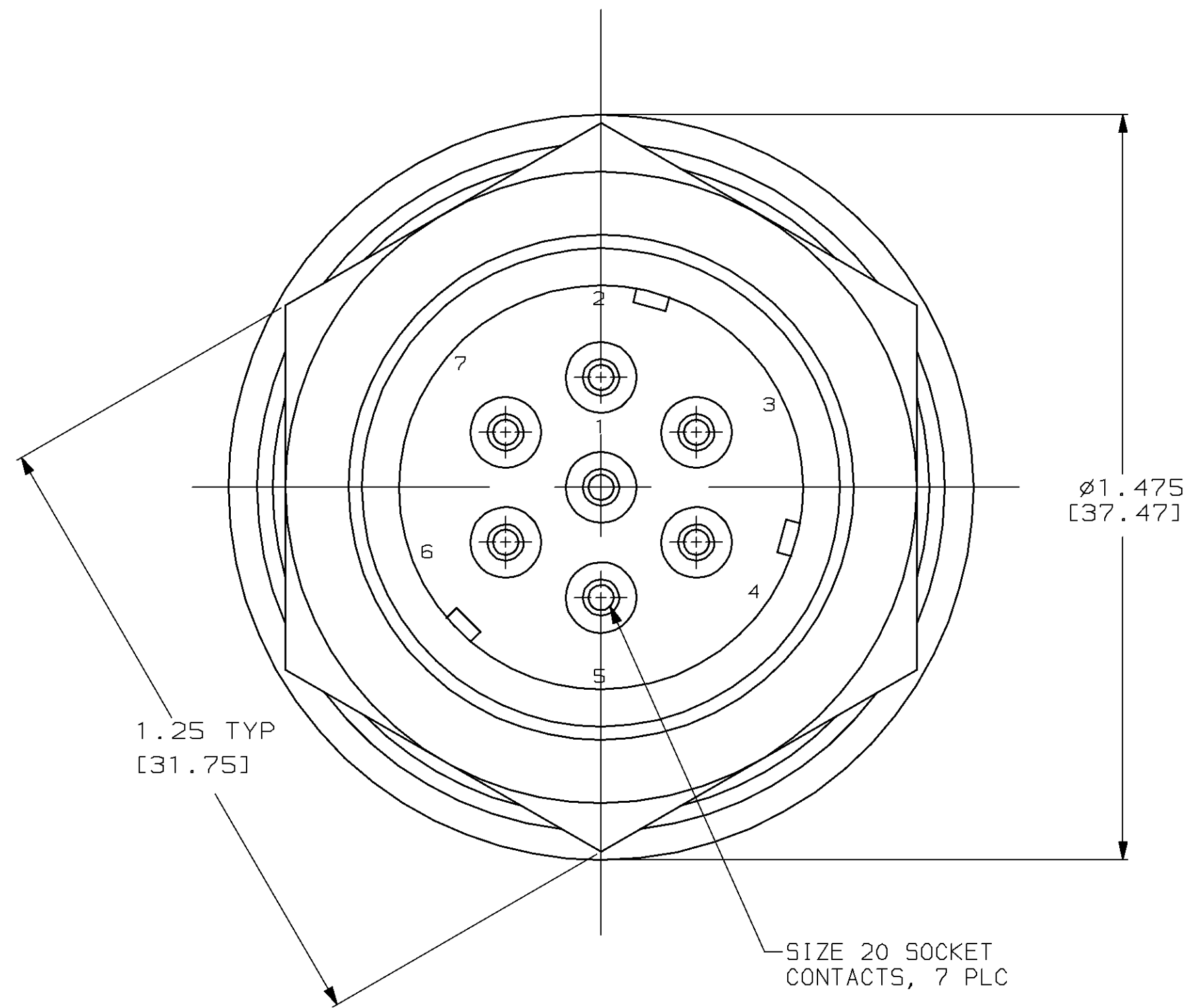
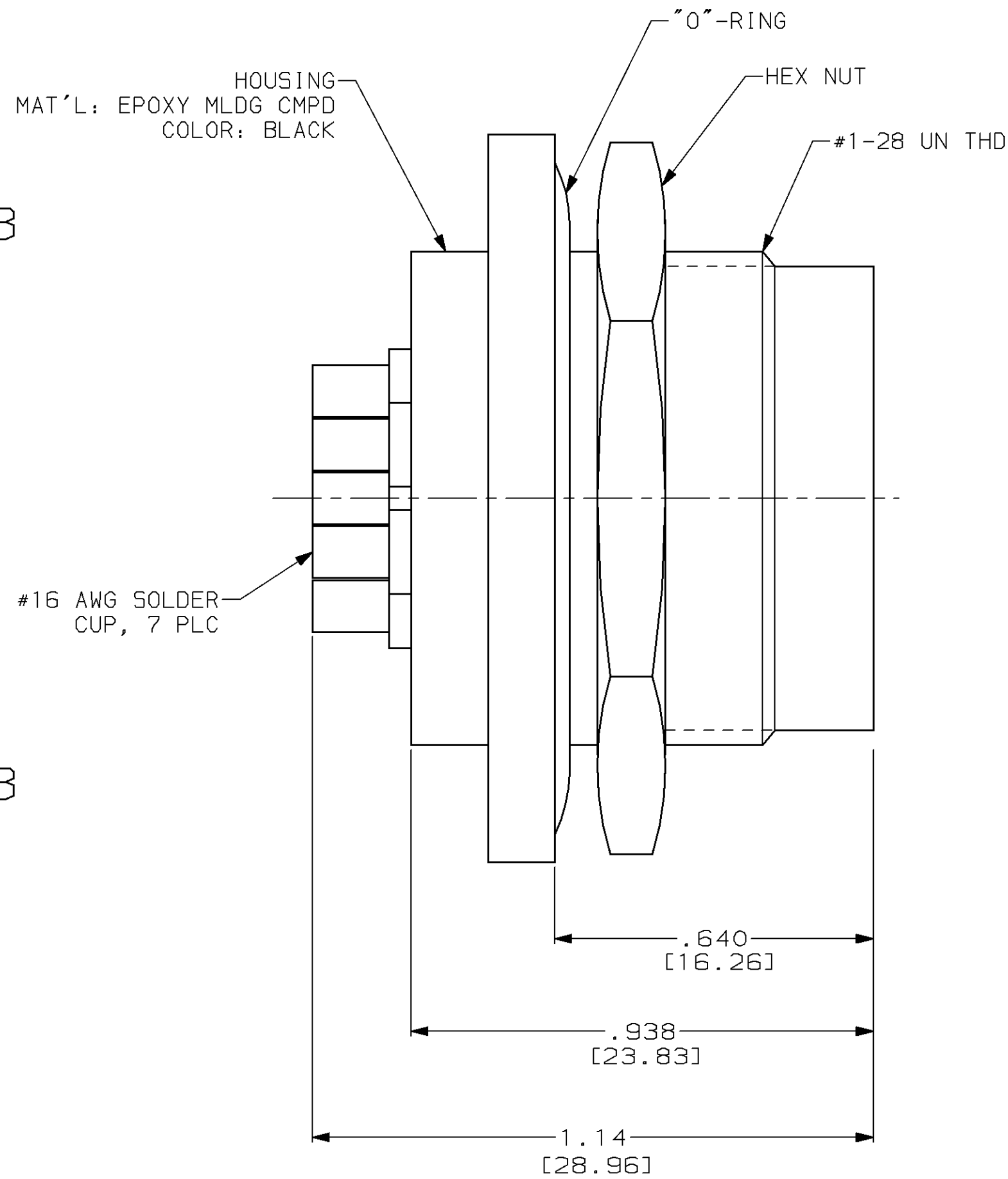
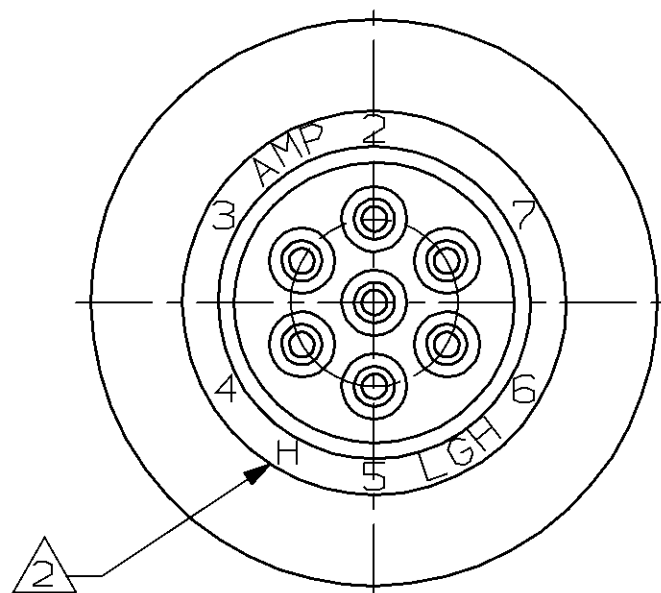


THIS DRAWING IS UNPUBLISHED. RELEASED FOR PUBLICATION
 © COPYRIGHT 19 BY AMP INCORPORATED. ALL RIGHTS RESERVED.

LOC		DIST		REVISIONS			
P	LTR	DESCRIPTION	DATE	DWN	APVD		
DF	SO	B	REDRAWN PER 0600-6253-97	CT	7-97	CT	SG



RECOMMENDED PANEL CUTOUT
 SCALE 2:1
 MAX PANEL THICKNESS: .125 [3.18]



- 1. MARKED PER MIL-STD-130.
- 2. HERMETIC SEAL IDENTIFICATION CODE.

862794-1
 PART NUMBER

THIS DRAWING IS A CONTROLLED DOCUMENT.		DWN C.C. THOMAS 7-16-97	AMP AMP Incorporated Harrisburg, PA 17105-3608
DIMENSIONS: INCHES [mm]		CHK S. GLATFELTER 9-4-97	
TOLERANCES UNLESS OTHERWISE SPECIFIED:		APVD S. GLATFELTER 9-4-97	NAME 7 PIN MINIATURE RCPT KIT, LGH HERMETICALLY SEALED
0 PLC ±-		PRODUCT SPEC	SIZE A2
1 PLC ±-		APPLICATION SPEC	CAGE CODE 00779
2 PLC ±.01 [0.3]		WEIGHT	DRAWING NO 862794
3 PLC ±.010 [0.25]		CUSTOMER DRAWING	SCALE 4:1
4 PLC ±-			SHEET 1 OF 1
ANGLES ±-			REV B
FINISH			
SEE CALLOUTS			